

AccuLoad-SXE[®]

Tension Load Cells, Load Pins
& Digital Displays



© Copyright 2008 Sentinel Instruments (USA), Inc. & Sentinel Instruments, Ltd.

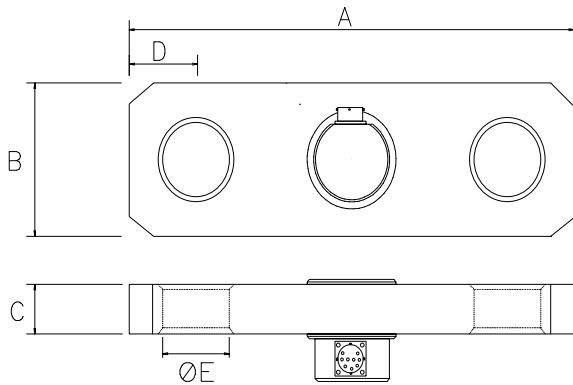
All Rights Reserved.

Sentinel Instruments (USA), Inc.
8100 Lockheed Ave
Houston, TX 77061
Tel: 713-643-9990 Fax: 713-643-9991
E-mail: sales@sentinelinstrumentsusa.com

Sentinel Instruments, Ltd.
Unit 20, Robert Leonard Centre Kirkhill Ind. Estate
Dyce, Aberdeen AB21 0GG
Tel: 44-1224-775830 Fax: 44-1224-775831
E-mail: sales@sentinel-ins.co.uk

Specifications

Rated Load, Metric Tons	5, 10, 29, 25, 30, 40, 50 (higher ratings by special order)
Proof Load	150% of Rated Load
Ultimate Breaking Load	> 300% of Rated Load
Output	1.5 mV/V at Rated Load
Non-Linearity	< ±0.25% of Rated Load
Non-Repeatability	< ±0.04% of Rated Load
Excitation Voltage	10 Vdc Nominal 15Vdc Maximum.
Bridge Resistance	350Ω
Insulation Resistance	> 500MΩ @500Vdc
Operating Temperature range	-20 to +70°C
Compensated Temperature Range	-20 to +70°C
Zero Temperature Coefficient	< ±0.010% of Rated Load/°C
Span temperature Coefficient	< ±0.010% of Rated Load/°C
Environment Level Protection	IP65 (option IP67)
Connection Type	3 Meters 4-Core Screened PUR Cable
Wiring Connections	Red +ve supply Blue -ve supply Green +ve signal Yellow -ve signal
Options Available	Special ranges and sizes, Shackles supplied as an option Integral signal conditioning, 05 or 10Vdc 4-20mA, RS485 digital, Data Recording
Packaging	Optional complete Carrying Kit, including indicator.



Part No / Range							
mm	5 Tonne	10 Tonne	20 Tonne	25 Tonne	30 Tonne	40 Tonne	50 Tonne
A	230	260	330	330	370	420	430
B	75	75	100	100	120	140	150
C	24	25	40	40	40	50	50
D	37.5	40	60	60	67.5	79	77.5
E	27	38	53	53	59	72	72
W	2.5kg.	3kg.	7.5kg.	7.5kg.	12kg.	15kg.	18kg

Sentinel reserves the right to amend equipment specifications to improve product features.

<p>Sentinel Instruments (USA), Inc. 8100 Lockheed Ave Houston, TX 77061 Tel: 713-643-9990 Fax: 713-643-9991 E-mail: sales@sentinelinstrumentsusa.com</p>	<p>Sentinel Instruments, Ltd Unit 20, Robert Leonard Centre Kirkhill Ind. Estate Dyce, Aberdeen AB21 0GG Tel: 44-1224-775830 Fax: 44-1224-775831 E-mail: sales@sentinel-ins.co.uk</p>
--	---

85 Tε Shackle Pin Assembly Illustrated**Load Pin Technical Specifications**

Rated Capacity	Up to 1,000 Metric Tonnes
Pin Diameter	Per Crosby Specifications
Electronics Overload Capacity:	1.5 x Rated Load
Ultimate Breaking Load:	5.4 x Rated Load
Output:	1.0 mV/V at Rated Load (nominal)
Accuracy and Non-Linearity:	< ± 0.5 % of Rated Load
Non-Repeatability:	< ± 0.15% of Rated Load
Excitation Voltage:	10vdc recommended, 15vdc maximum
Bridge Resistance:	350Ω
Insulation Resistance:	> 500MΩ @ 500vdc
Operating Temperature Range:	-20 to +80°C
Compensated Temperature Range:	-20 to +80°C
Zero Temperature Coefficient:	< ± 0.010% of Rated Load/°C
Span Temperature Coefficient:	< ± 0.010% of Rated Load/°C
Environmental Protection Level:	IP68 (NEMA 6), heavy power washing
Data Link:	4-Channel Telemetry
Duty:	Extreme Marine
Shackle Make & Size:	All Shackle Load Pins are Dimensionally Compatible with their Mating Crosby Anchor Type Shackle

Sentinel reserves the right to alter system specifications to incorporate technical enhancements and software upgrades. Please contact your Sentinel dealer for a current list of product specifications.

© 2008 Sentinel Instruments (USA), Inc. & Sentinel Instruments, Ltd.

Sentinel Instruments (USA), Inc.
8100 Lockheed Ave
Houston, TX 77061
Tel: 713-643-9990 Fax: 713-643-9991
E-mail: sales@sentinelinstrumentsusa.com

Sentinel Instruments, Ltd.
Unit 20, Robert Leonard Centre Kirkhill Ind. Estate
Dyce, Aberdeen AB21 0GG
Tel: 44-1224-775830 Fax: 44-1224-775831
E-mail: sales@sentinel-ins.co.uk